

Double is better!

RAJU



Productivity in harmony with nature

A reliable partner

Raju rims & ties

- Raju is equipped with a removable spacer rim, the width of which is selected according to use.
- The rims are manufactured as required by international standards.
- Raju's measurement accuracy is excellent, an important feature when driving under heavy loads and high speeds.
- Thanks to the slide and the bracket, installation of the Raju twin wheel is easy.
- The bracket may be shifted along the slide precisely to the U-bracket. By applying this method, rotation of the heavy twin wheel is avoided.
- The Raju is dimensioned for exact fit on all rim types. Therefore, the Raju dual rim may be tightened against the rim of the tractor's own wheel without straining the ties.



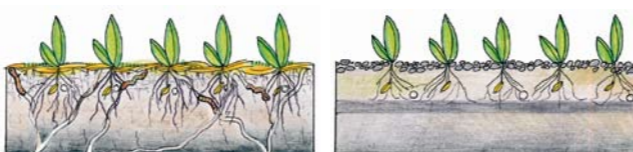
It pays to use Raju-rims

By using the twin wheels the harmful compaction of soil may be reduced and thus the crop-production capacity of the soil may be improved.



RAJU

The soil profile becomes porous and granular. Nature's own nutrient circulation system works more efficiently for the benefit of soil cultivation.

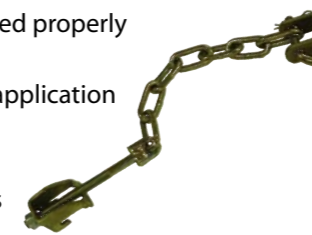


Robust & user-friendly

Installation accessories

Chain tie

- A durable tie if maintained properly
- Versatile: apv / Raju
- Traditional method of application
- 0 cm - 62 cm -> 7 loops
- 0 cm - 74 cm -> 9 loops
- 0 cm - 90 cm -> 12 loops



Telescopic tie

- Quick installation using a compressed-air-driven turn-screw
- Easy-to-handle
- Solidly built
- Protected structure prevents the thread from getting damaged



Raju-Quick Lock

- Nice to fit and release
- Heavy duty - fewer fasteners
- Safe



Double is better!

RAJU

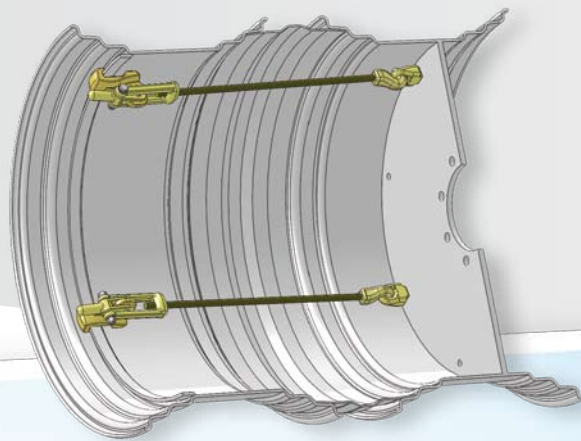
Raju is reliable

Raju has been serving farmers and contractors since 1969. We develop and manufacture products that are environmentally friendly, save energy and make agricultural work lighter and easier, thus improving the profitability of farming. We render comprehensive services aimed at long-term customer relationships.



RAJU

Quick Lock



By using the twin wheels the harmful compaction of soil may be reduced and thus the crop-production capacity of the soil may be improved.



Double is better!

RAJU

rajuvanteet.fi

- Nice to fit and relase
- Heavy duty - fewer fasteners
- Safe
- Lasts from father to son

Sales: